



EC Type Examination Certificate KEMA 01 ATEX 2223 X

Phone signal

Type Ex-DUO

The phone signal Ex-Duo signals incoming calls from stationary telephones as a secondary ringing device. The signaling is ensured by a 5 joules flash and by a 110dB(A) sounder. Once an incoming call is signaled, the flash and the sounder will be activated. Between the ringing signals the flash is bridged for continuous flashing. Different sounds can be set individually.

Phone signal

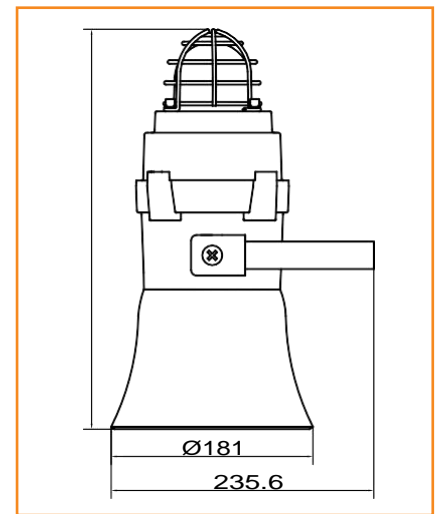
Type Ex-DUO

EC Type Examination Certificate KEMA 01 ATEX 2223 X



Technical Data	
Storage temperature	-50°C - +70°C
Operating temperature	-40°C - +70°C
Relative humidity	max. 90%
Ignition protection class	⊕ II 2G Ex d I Ib T4
Supply voltage	230VAC max. 264VAC
Triggering	W,Lb or La, Lb 30-60V, 20-60Hz
Volume	110dB at 1 m distance
Volume control	- 9dB
Flash rate	1Hz
Performance, flash tubes	approx. 5Ws
Duty cycle	100%
Service life flash tube	light emission still 70% after 8 000 000 flashes
CE conformity	EN 60079-14, EN 60079-10 access based on CTR21
Connection terminals	0,5 - -2,5mm
Cable entries	2 / 1 x open, 1 x close (M20 ISO)
Material	die-cast aluminium LM6, similar RAL 3000 (flame red)

Dimensioned drawing



Model	Order no.
Ex-DUO 230V, 110dB, 5 Joules (amber)	06.35

Dimensions:

365 (length) x Ø 181 (width) mm

Cable entries:

2 x M20 ISO

Weight:

approx. 4,3kg