



## Phone signal Type DUO / SIP

The DUO signals incoming calls both audibly and optically. The flash frequency and the signal tone can be set individually. The extensive settings can be configured via web-interface. The DUO / SIP is intended for wall mounting and is controlled by the integrated SIP telephone connecting relay. Power supply is via PoE or extern with 48V.

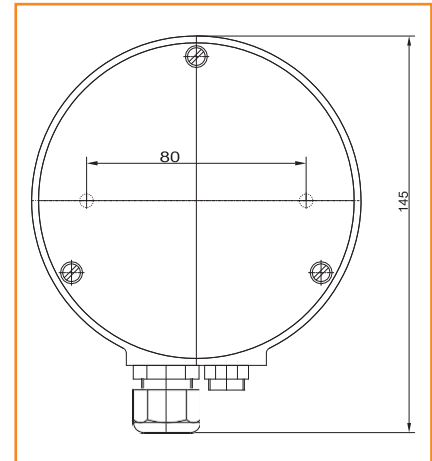
# Phone signal

## Type DUO / SIP



Technical data	
Supply voltage	RJ 45 socket / 10Mbit half-duplex
Power supply	PoE 802.3af / alternative 48VDC
Power input	approx. 0,8W resting state / approx. 4W operating
Triggering	SIP
Volume	max. 105dB at 1m distance
Flash frequency	Individually configurable
CE conformity	EN 60950, EN 61000, EN 60947-1
Storage temperature	-40°C - +70°C
Operating temperature	-30°C - +60°C
Casing	Plastic ABS, anthracite - grey
Spherical cap	Macrolon in orange, green, clear, red yellow
Cable gland	M16 x 1,5 (Ø 5-10mm) M12 x 1,5 plug

### Masszeichnung



Spherical cap color	Order no.
orange	26.51000
green	26.51010
clear	26.51020
red	26.51030
yellow	26.51040

#### Dimensions:

90 (height) x Ø 120mm

#### Distance between holes for mounting:

80mm

#### Weight:

approx. 400g